

## General Details

---

Unit .....	TYPE:	Curb Mount
	OUTSIDE CURB DIM.:	48.00" x 48.00" x 2 3/4"
	QUANTITY:	1
Panel .....	CORE MATERIAL:	Non-Conductive FRP Grid
	CORE THICKNESS:	2 11/16"
	U-VALUE:	0.40
Grid .....	COLOR:	Standard
	DIMENSIONS:	6" x 9"
Exterior Skin .....	COLOR:	White
	FINISH:	Smooth with Gelcoat- 10 weather surface
Interior Skin .....	COLOR:	Crystal
	FINISH:	Embossed
Accessories .....	FRP SKIRT:	Black Skirt

## Note

---

Please verify job conditions and dimension points to be as shown. Correct if different.

## Approved

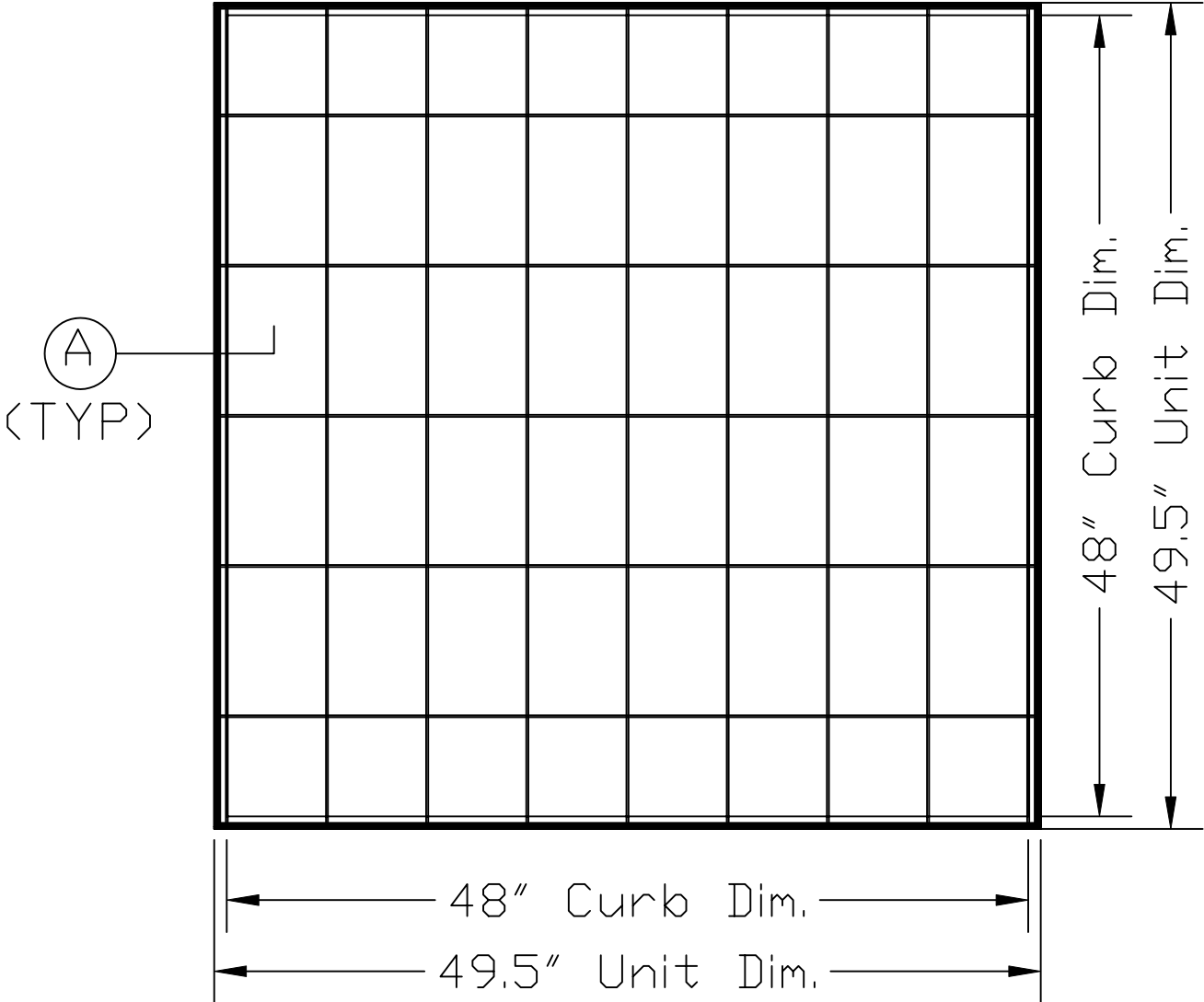
---

By: \_\_\_\_\_

Date: \_\_\_\_\_

Customer	Project Name  CURB MOUNT DETAIL	Distinctive Skylights 535 A Street Richmond, CA 94801 Phone: 510-235-5125 Fax: 510-235-5085 www.DistinctiveSkylights.com	Scale
			Sheet No. 1

# Single Curb Mount Panel

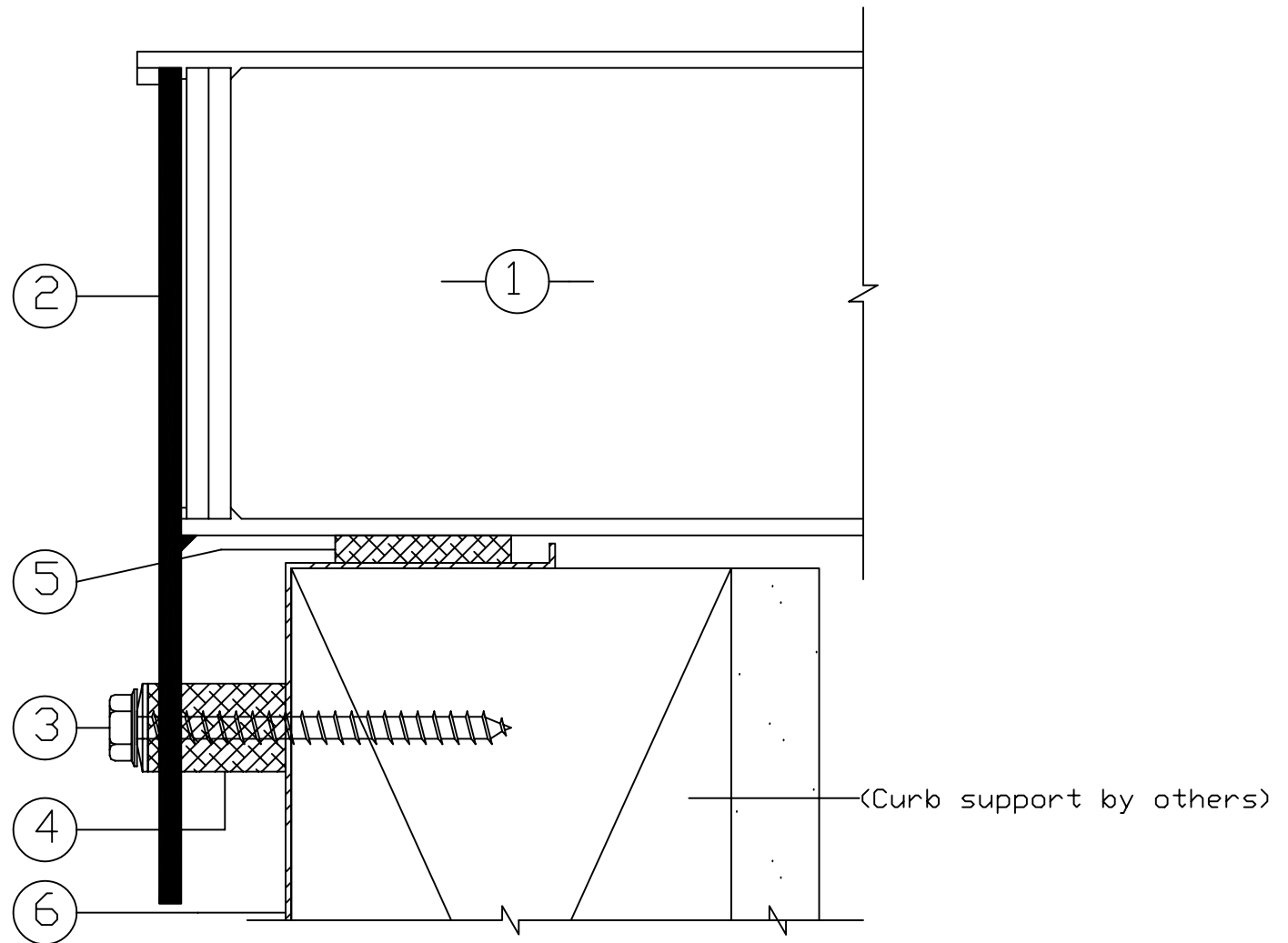


Customer

Project Name  
CURB MOUNT PANEL

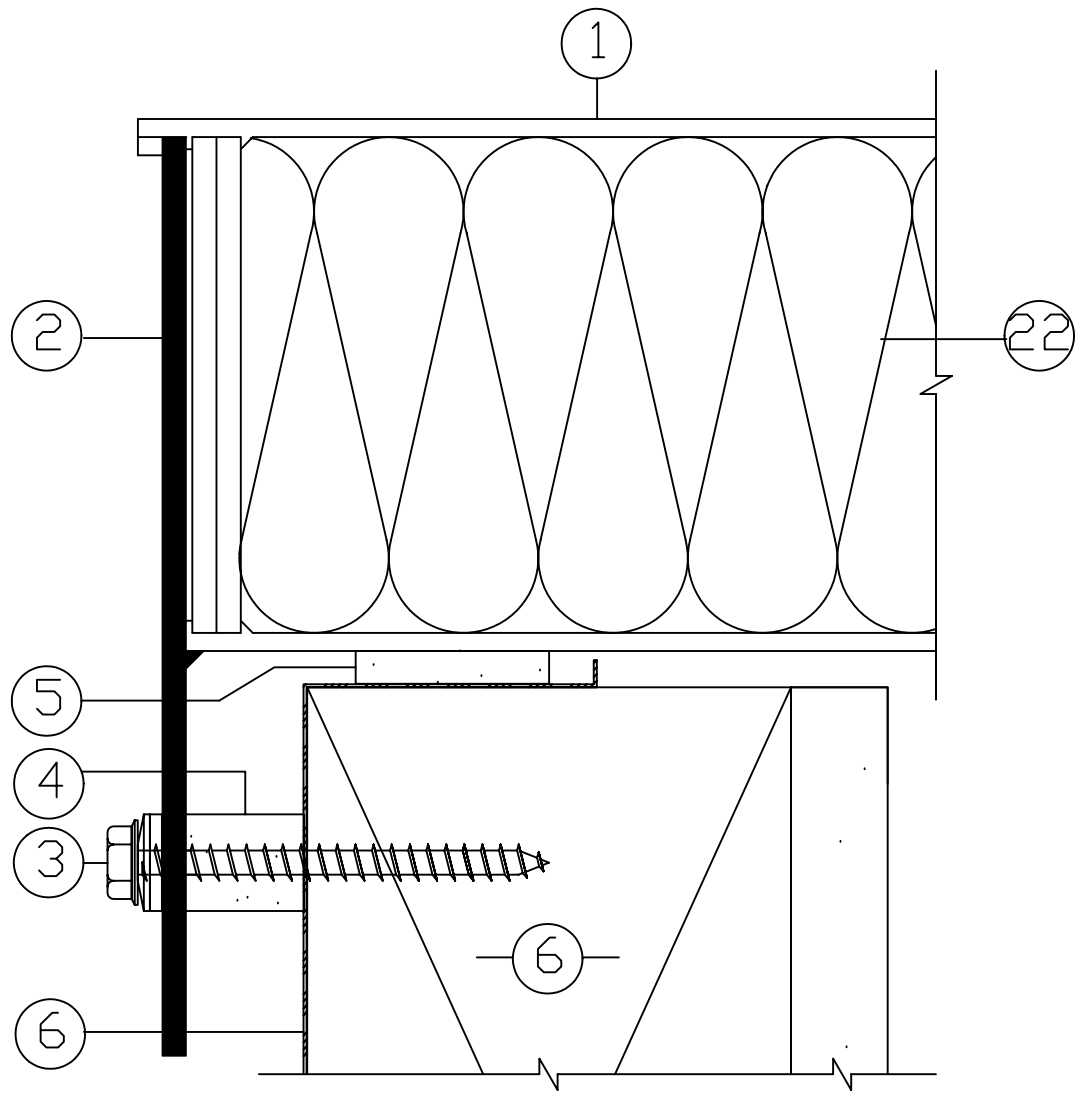
Distinctive Skylights  
535 A Street  
Richmond, CA 94801  
Phone: 510-235-5125  
Fax: 510-235-5085  
www.DistinctiveSkylights.com

Scale  
1:3/32  
Sheet No.  
2



SECTION (A)

Customer	Project Name  CURB MOUNT PANEL	Distinctive Skylights 535 A Street Richmond, CA 94801 Phone: 510-235-5125 Fax: 510-235-5085 www.DistinctiveSkylights.com	Scale 1:1 Sheet No. 3
----------	--------------------------------------	---	--------------------------------



SECTION (A1)

Customer	Project Name CURB MOUNT PANEL INSULATED	Distinctive Skylights 535 A Street Richmond, CA 94801 Phone: 510-235-5125 Fax: 510-235-5085 www.DistinctiveSkylights.com	Scale 1:1 Sheet No. 3a
----------	---	---	---------------------------------

## DETAIL CODE:

- 1 DISTINCTIVE SKYLIGHTS TRANSLUCENT PANEL
- 2 FRP FLASHING
- 3 #10 x 2" S.S. HEX HD / DBL WASHER
- 4 NEOPRENE SPACER
- 5 FOAM TAPE CLOSURE
- 6 CURB / COUNTER FLASHING NOT BY DS
- 22 INSULATION

Customer	Project Name  CURB MOUNT DETAIL	Distinctive Skylights 535 A Street Richmond, CA 94801 Phone: 510-235-5125 Fax: 510-235-5085 <a href="http://www.DistinctiveSkylights.com">www.DistinctiveSkylights.com</a>	Scale
			Sheet No. 4