

General Details

Unit	TYPE: OUTSIDE CURB DIM.: QUANTITY:	Curb Mount 144.00" x 48.00" x 2 3/4" 1
Panel	CORE MATERIAL: CORE THICKNESS: U-VALUE:	Non-Conductive FRP Grid 2 11/16" 0.40
Grid	COLOR: DIMENSIONS:	Standard 6" x 9"
Exterior Skin	COLOR: FINISH:	White Smooth with Gelcoat- 10 weather surface
Interior Skin	COLOR: FINISH:	Crystal Embossed
Accessories	FRP SKIRT: ALUMINUM:	Black Skirt Painted

Note

Please verify job conditions and dimension points to be as shown. Correct if different.

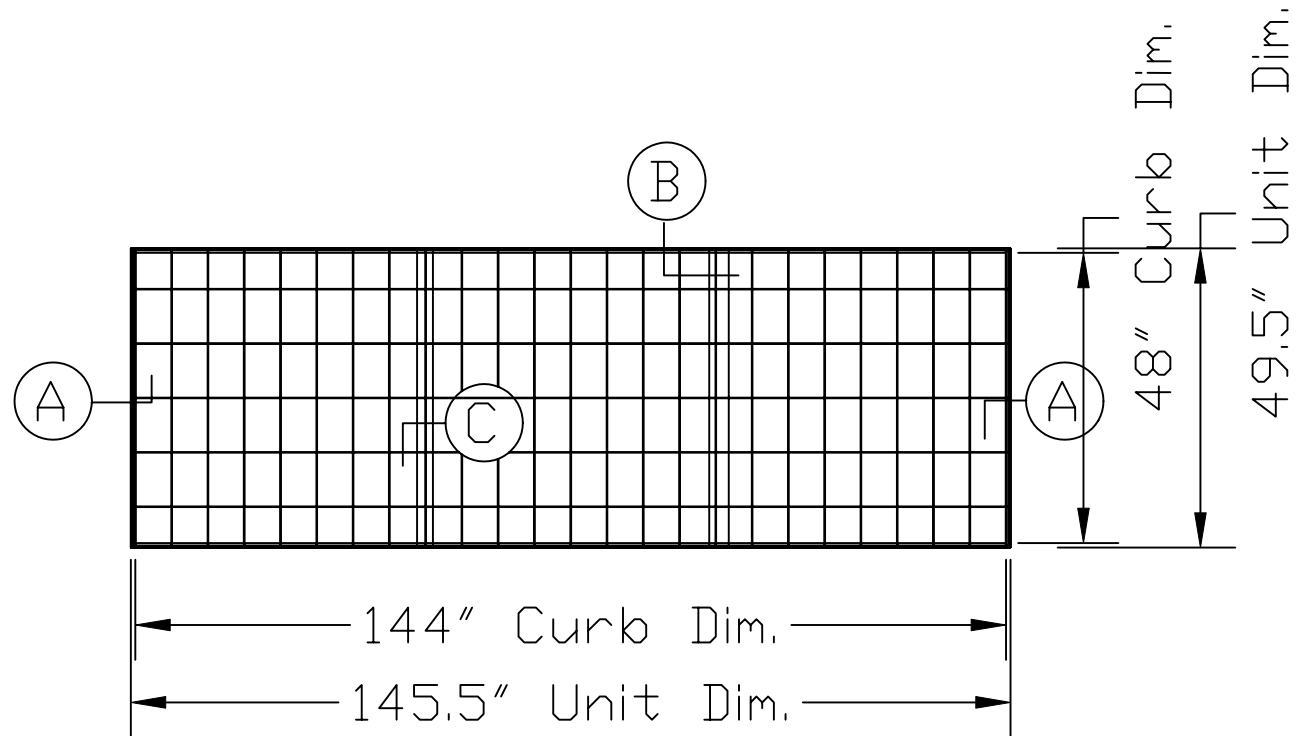
Approved

By: _____

Date: _____

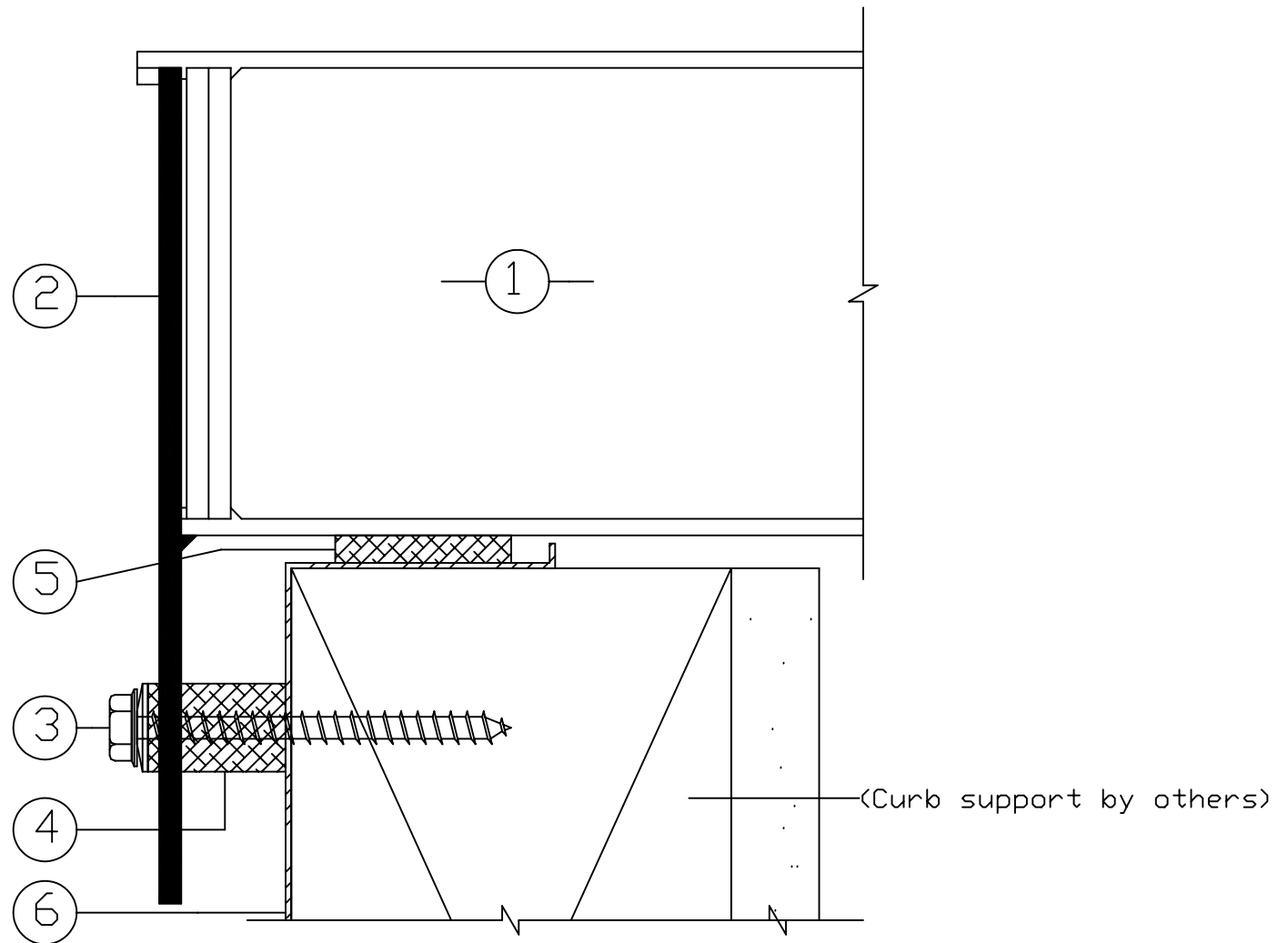
Customer	Project Name MULTI PANEL CURB MOUNT	Distinctive Skylights 535 A Street Richmond, CA 94801 Phone: 510-235-5125 Fax: 510-235-5085 www.DistinctiveSkylights.com	Scale
			Sheet No. 1

Multi Curb Mount Panel



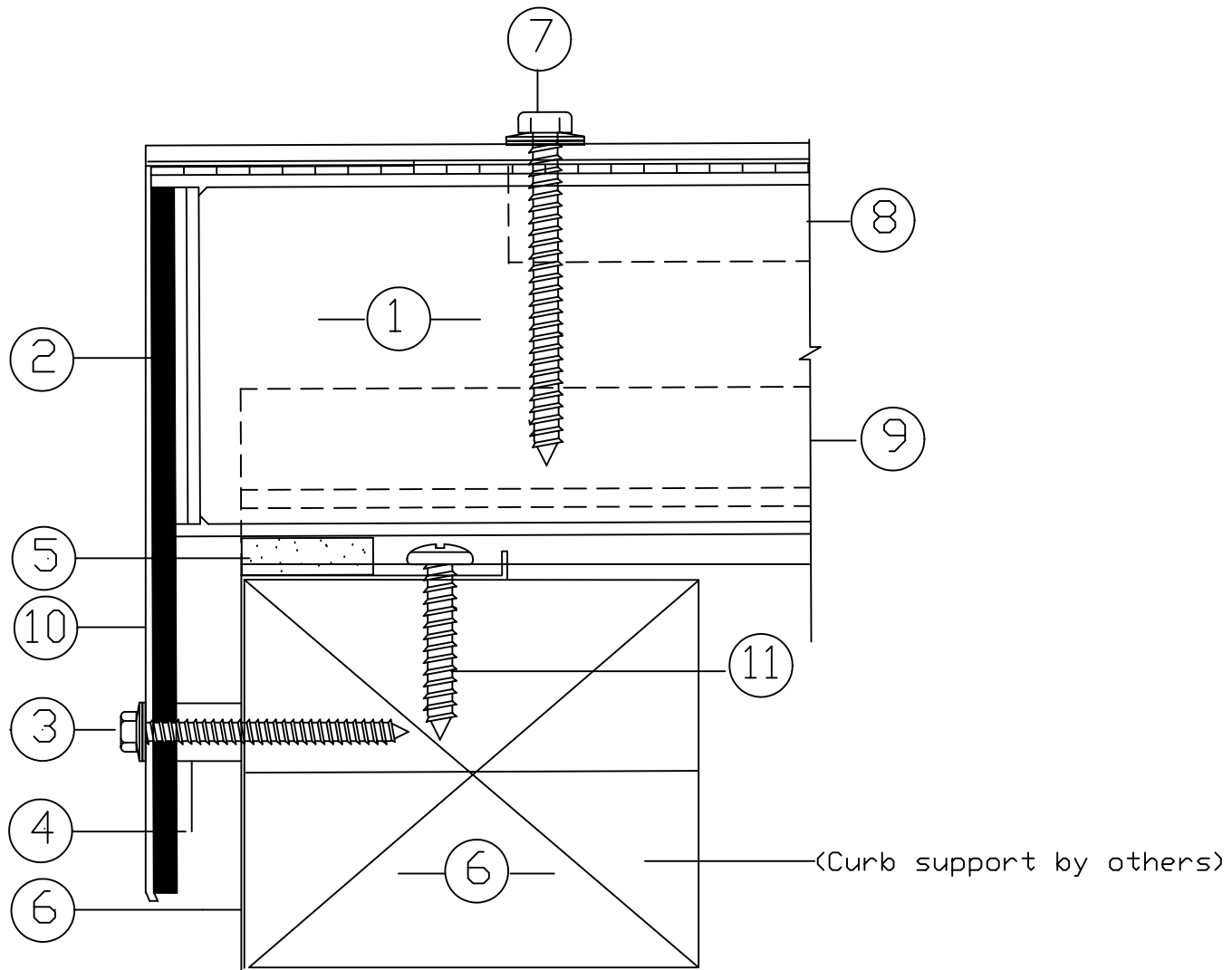
PLAN VIEW

Customer	Project Name MULTI PANEL CURB MOUNT	Distinctive Skylights 535 A Street Richmond, CA 94801 Phone: 510-235-5125 Fax: 510-235-5085 www.DistinctiveSkylights.com	Scale Sheet No. 2
----------	--	---	-------------------------



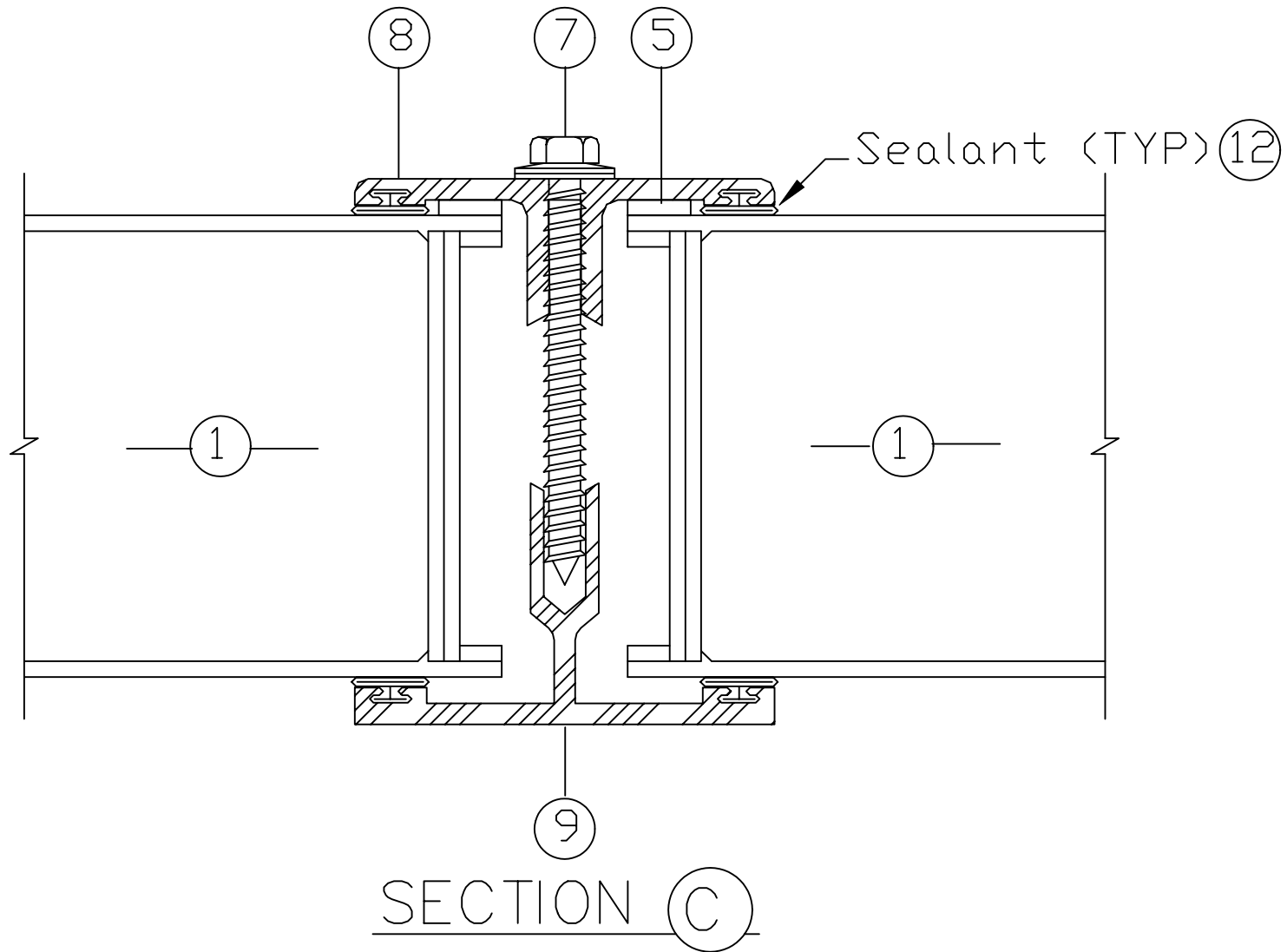
SECTION (A)

Customer	Project Name MULTI PANEL CURB MOUNT	Distinctive Skylights 535 A Street Richmond, CA 94801 Phone: 510-235-5125 Fax: 510-235-5085 www.DistinctiveSkylights.com	Scale Sheet No. 3
----------	--	---	-------------------------



SECTION (B)

Customer	Project Name MULTI PANEL CURB MOUNT	Distinctive Skylights 535 A Street Richmond, CA 94801 Phone: 510-235-5125 Fax: 510-235-5085 www.DistinctiveSkylights.com	Scale Sheet No. 4
----------	--	---	-------------------------



Customer

Project Name

MULTI PANEL CURB MOUNT

Distinctive Skylights
 535 A Street
 Richmond, CA 94801
 Phone: 510-235-5125
 Fax: 510-235-5085
www.DistinctiveSkylights.com

Scale

Sheet No.

5

DETAIL CODE:

- 1 DISTINCTIVE SKYLIGHTS TRANSLUCENT PANEL
- 2 FRP FLASHING
- 3 1/4" X 3" LAG SCREWS
- 4 NEOPRENE SPACER- 1/4" x 1"
- 5 FOAM TAPE CLOSURE
- 6 CURB / COUNTER FLASHING NOT BY DS
- 7 #14 x 2 S.S. HEX HD / DBL WASHER
- 8 DS 180T BATTEN / BULB SEAL - (6365-T5)
- 9 DS 180B BATTEN / BULB SEAL - (6365-T5)
- 10 JOINT COVER - Formed 0.0625 Aluminum
- 11 #14" X 3" LAG SCREWS
- 12 SEALANT

Customer	Project Name MULTI PANEL CURB MOUNT	Distinctive Skylights 535 A Street Richmond, CA 94801 Phone: 510-235-5125 Fax: 510-235-5085 www.DistinctiveSkylights.com	Scale
			Sheet No. 6