

General Details

Unit	TYPE: OUTSIDE CURB DIM.: SLOPE: QUANTITY:	Slope Panel 120.00" x 60.00" 2.4 : 12 1
Panel	CORE MATERIAL: CORE THICKNESS: U-VALUE:	Non-Conductive FRP Grid 2 11/16" 0.40
Grid	COLOR: DIMENSIONS:	Standard 6" x 9"
Exterior Skin	COLOR: FINISH:	White Smooth with Gelcoat- 10 weather surface
Interior Skin	COLOR: FINISH:	Crystal Embossed
Accessories	FRP SKIRT: ALUMINUM:	Black Skirt Painted

Note

Please verify job conditions and dimension points to be as shown. Correct if different.

Approved

By: _____

Date: _____

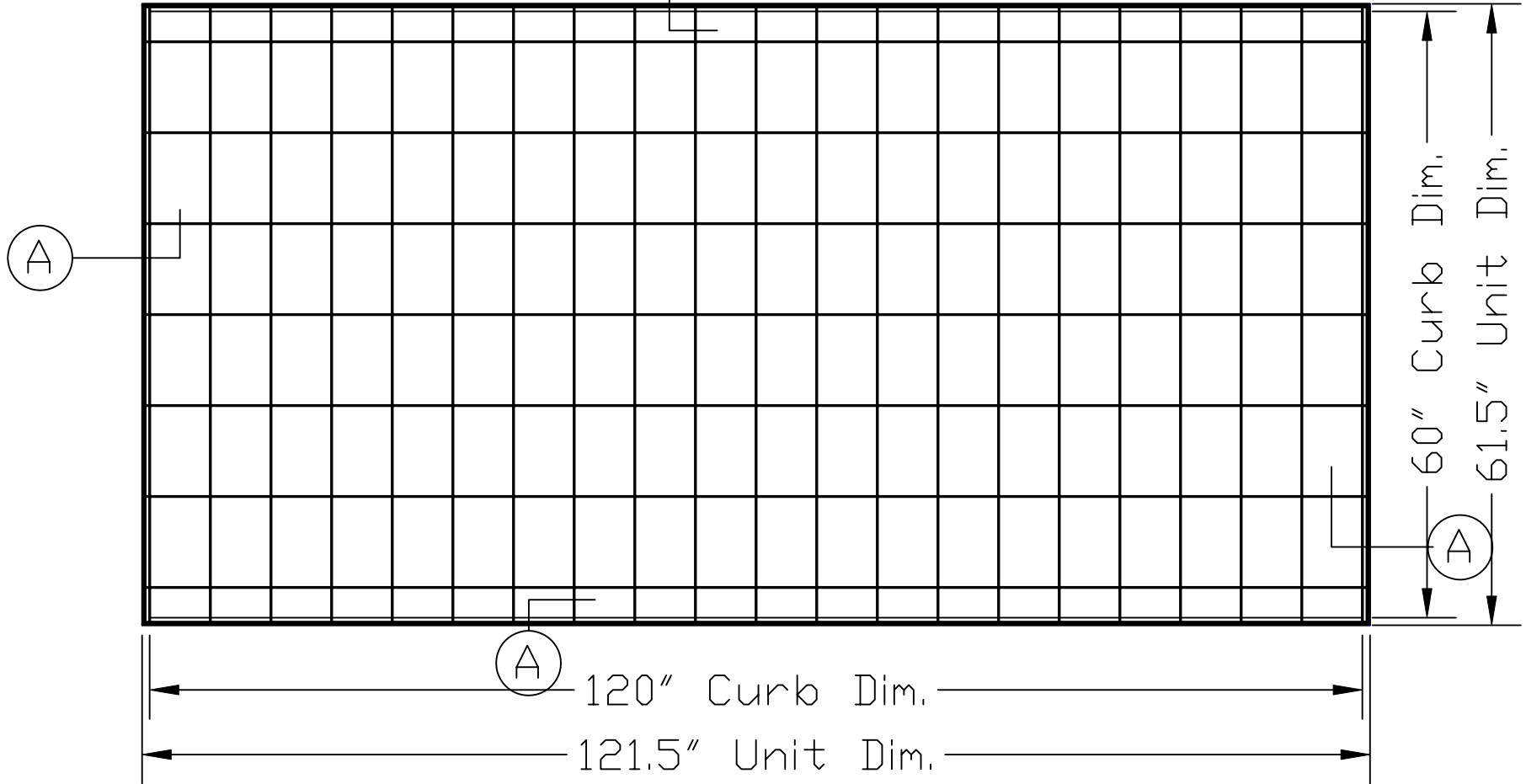
Customer	Project Name	Distinctive Skylights 535 A Street Richmond, CA 94801 Phone: 510-235-5125 Fax: 510-235-5085 www.DistinctiveSkylights.com	Scale 1:1
			Sheet No. 1

Single Slope Panel

WALL

(B)

WALL



Customer

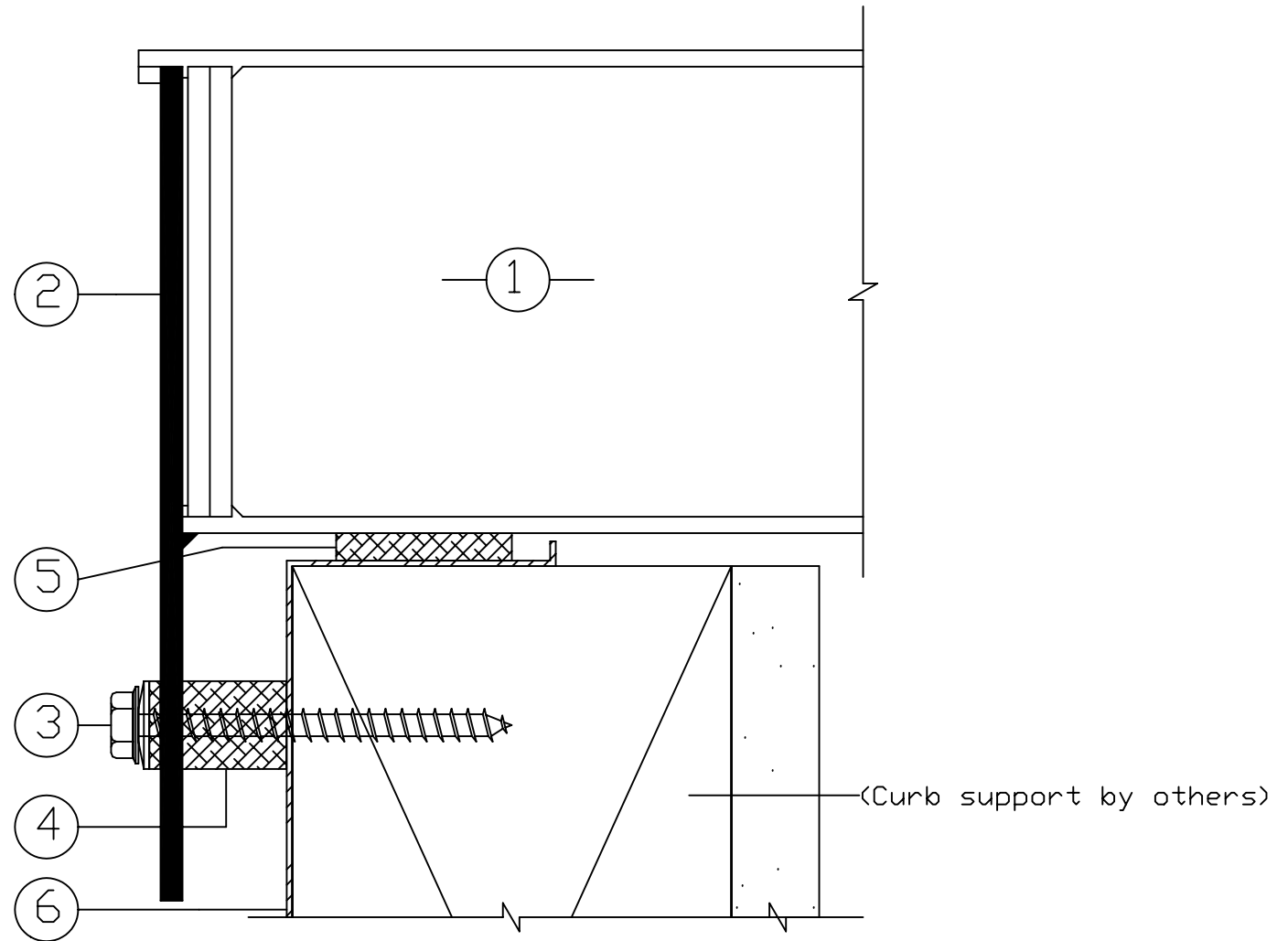
Project Name

Distinctive Skylights
535 A Street
Richmond, CA 94801
Phone: 510-235-5125
Fax: 510-235-5085
www.DistinctiveSkylights.com

Scale
1:1

Sheet No.

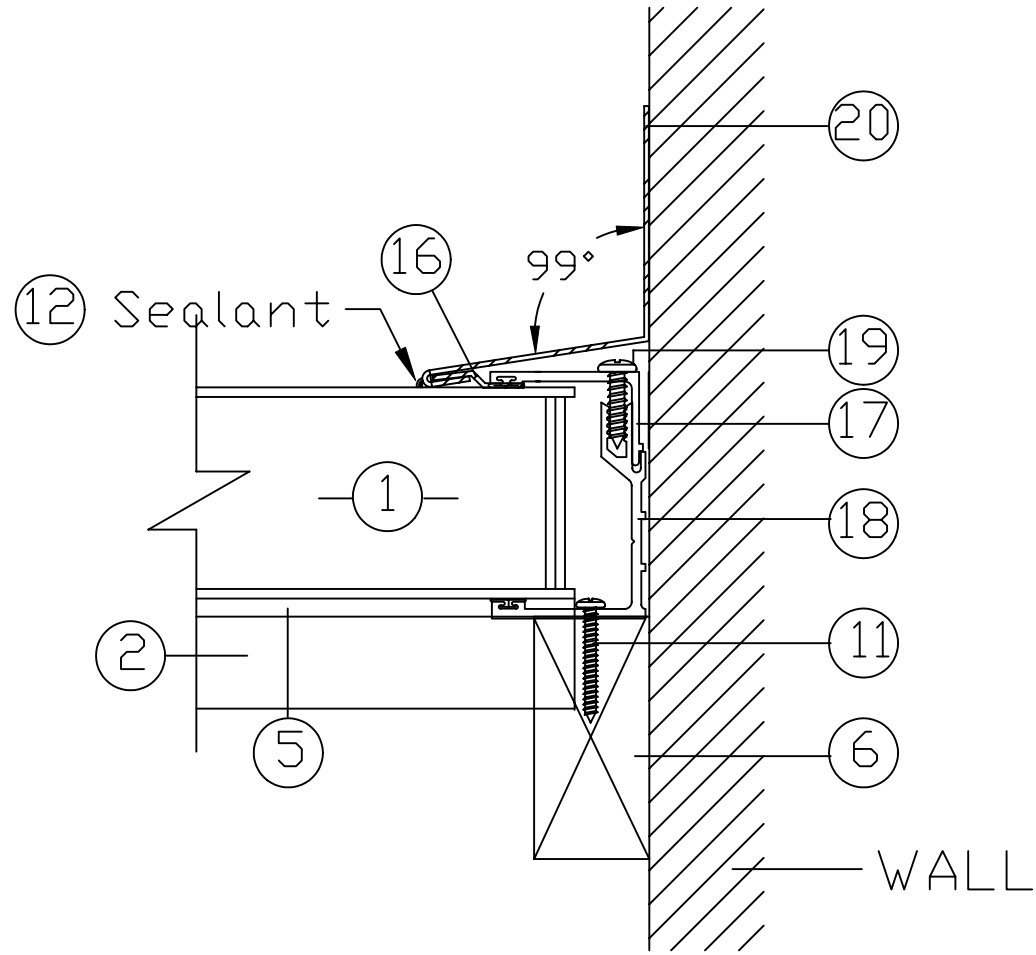
2



SECTION (A)

Customer	Project Name	Distinctive Skylights 535 A Street Richmond, CA 94801 Phone: 510-235-5125 Fax: 510-235-5085 www.DistinctiveSkylights.com	Scale 1:1 Sheet No. 3
----------	--------------	---	--------------------------------

LEDGER INSTALLATION DETAIL



SECTION (B)

Customer	Project Name	Distinctive Skylights 535 A Street Richmond, CA 94801 Phone: 510-235-5125 Fax: 510-235-5085 www.DistinctiveSkylights.com	Scale 1:1 Sheet No. 4
----------	--------------	---	--------------------------------

DETAIL CODE:

- 1 DISTINCTIVE SKYLIGHTS TRANSLUCENT PANEL
- 2 FRP FLASHING
- 3 #14 x 2" S.S. HEX HD / DBL WASHER
- 4 NEOPRENE SPACER
- 5 FOAM TAPE CLOSURE - 1/4" x 1"
- 6 CURB / COUNTER FLASHING NOT BY DISTINCTIVE SKYLIGHTS
- 11 #12 x 3" S.S. PAN HD SCREW
- 12 SEALANT
- 16 "Z" Clips - 0.060 ALUMINUM
- 17 DS 90T BATTEN / BULB SEAL - ALUMINUM (6063-T5)
- 18 DS 90B BATTEN / BULB SEAL - ALUMINUM (6063-T5)
- 19 #12x1 S.S. Pan Hd Screw 90T to 90B
- 20 Wall Flashing - 0.060 Aluminum

Customer	Project Name	Distinctive Skylights 535 A Street Richmond, CA 94801 Phone: 510-235-5125 Fax: 510-235-5085 www.DistinctiveSkylights.com	Scale 1:1
			Sheet No. 5